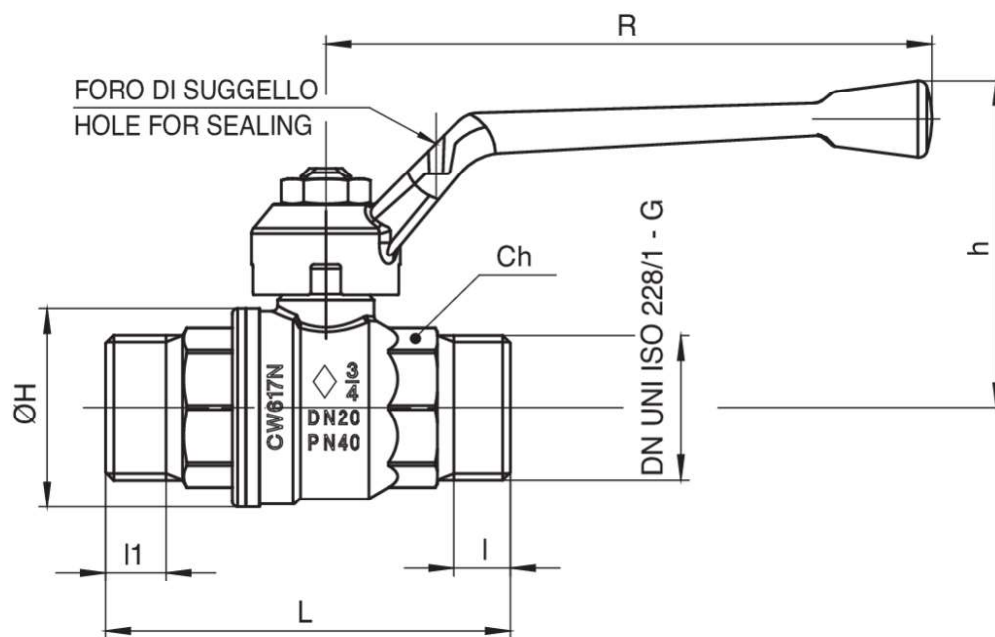


1503

Full bore ball valve, M/M threaded, with aluminum handle.

Technical specifications

Drawing



Table

CODE	SIZE	DN	UNITS PER BOX	MASTER BOX	I	L1	CH	ØH	L	H	R	KV	PN	KG
1503040000	1/2"	15	20	80	11.5	13	22	30	62.2	47.5	95	15.7	50	0.17
1503050000	3/4"	20	10	40	13.2	14	27	36	73.5	59.5	110	28	40	0.28
1503060000	1"	25	10	20	16.5	15	34	43.5	83.7	62	110	41.5	40	0.43

Notes

Cover available art. 6670 page 309.

Applications



DRINKING WATER



HEATING



HVAC



COMPRESSED AIR



INDUSTRIAL



MARINE